

HK 135 K7+L5

KNUCKLE BOOM CRANE



HIDROKON



Power and Performance Together!

HK 135 K7+L5 Knuckle Boom Crane

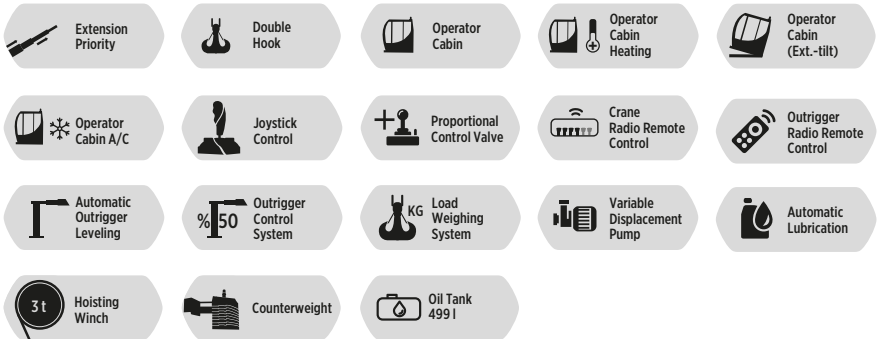
*With high quality equipment,
superior capability and
maximum safety features.*







FEATURES



Crane Attachments

● Available ✗ Not Available	Fly Jib	Hoisting Winch Single Line	Hoisting Winch Single Line	Hoisting Winch Single Line	Hoisting Winch Single Line
		1937 KG	3059 KG	3569 KG	4588 KG
HK 135	●	✗	●	●	✗

● Available ✗ Not Available	Counter Weight	Load Case Extension	5th-6th Stabilizers	Manual Extension Booms
HK 135	●	✗	●	●

Other Attachments

Double Hook

Body Apparatus For Utility Pole

Hook Block - Single Sheave

Pallet Fork

Towing Equipment

Angular Extension Boom

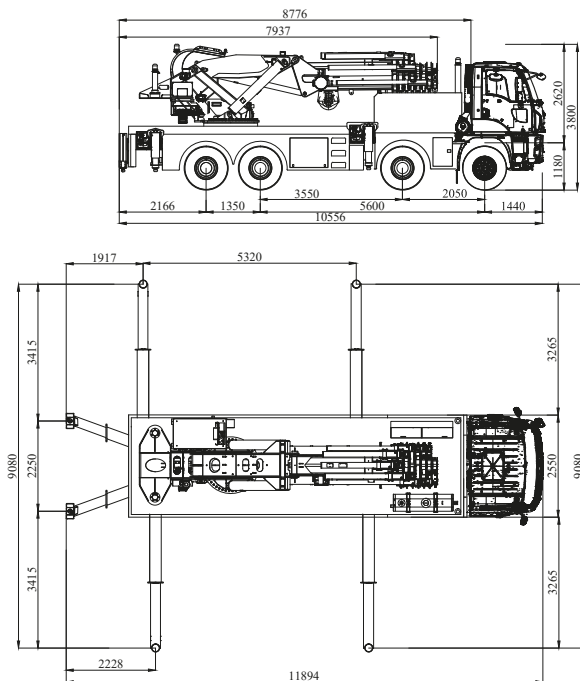
H Frame Lifting Beam

Angular Extension Boom
(Angle Adjustable)

Technical Specifications

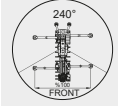
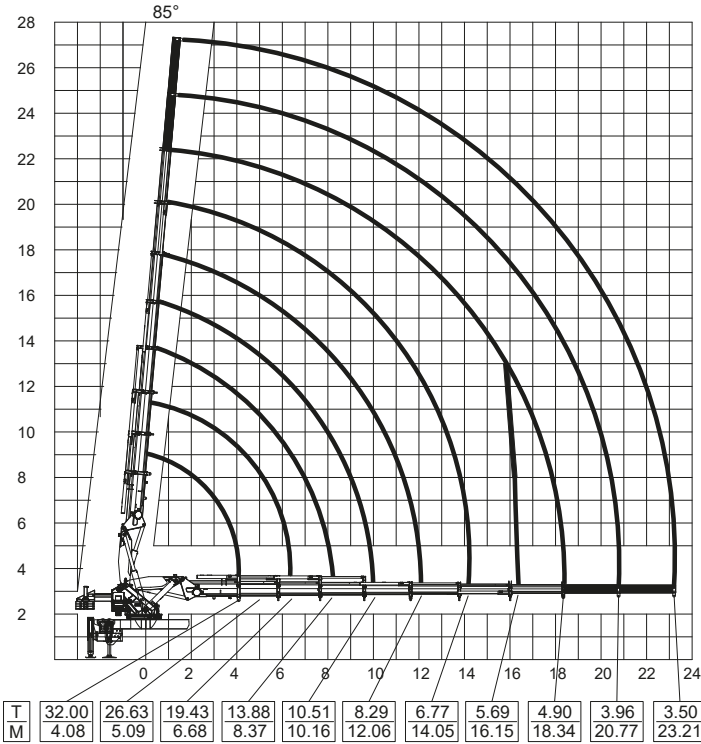
Max. Hydraulic Vertical Outreach	22.37 m	73' 4.70"
Max. Manual Vertical Outreach	27.23 m	89' 4.04"
Max. Hydraulic Vertical Outreach With Fly Jib	38.51 m	126' 4.14"
Max. Manual Vertical Outreach With Fly Jib	44.07 m	144' 7.03"
Working Pressure	290 bar	4206 psi
Rotation Angle	∞ (Endless)	∞ (Endless)
Number Of Hydraulic Extensions	7	7
Number Of Hydraulic Extensions Of Fly Jib	5	5
Number Of Manual Extensions	2	2
Number Of Manual Extensions Of Fly Jib	2	2
Counter Weight	3 x 1320 kg	3 x 2910 lbs
Oil Tank Capacity	499 l	499 l
Dead Weight (Std.)	21500 kg	47,399 lbs
Dead Weight (Std.) With Fly Jib	24400 kg	53,792 lbs

Dimensions (mm)



*Vehicle model selection may vary depending on country highway regulations, the image above is for illustration purposes only.

HK 135 K7+2 Lifting Capacity



Main Boom
1. Manual Ext.
Max 3960 kg

Main Boom
2. Manual Ext.
Max 3500 kg

* Lifting capacities of the main boom are valid when manual extensions are not installed .

* In vertical and horizontal distances , boom deflections are not calculated .

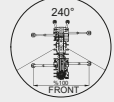
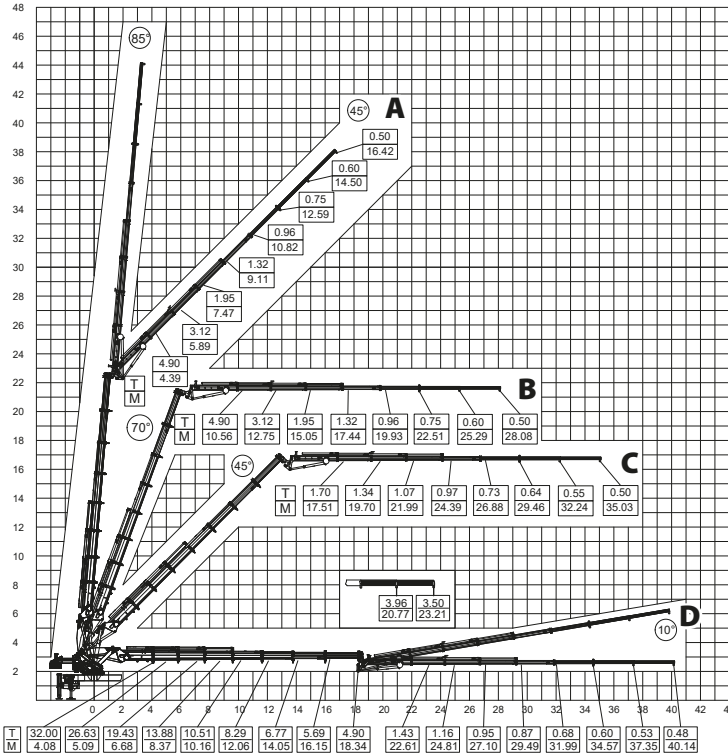
* Subject to change without prior notice.

* In the case of working in front of the cab area and / or on a surface where outrigger jacks are not balanced, all the responsibility belongs to the user.

max.	Feet&Inch	45000 kg	99,208 lbs
4.08 m	13' 4.62"	32000 kg	70,547 lbs
5.09 m	16' 8.39"	26630 kg	58,709 lbs
6.68 m	21' 10.99"	19430 kg	42,835 lbs
8.37 m	27' 5.52"	13880 kg	30,600 lbs
10.16 m	33' 3.99"	10510 kg	23,170 lbs
12.06 m	39' 6.80"	8290 kg	18,276 lbs
14.05 m	46' 1.14"	6770 kg	14,925 lbs
16.15 m	52' 11.82"	5690 kg	12,544 lbs
18.34 m	60' 2.04"	4900 kg	10,802 lbs
20.77 m*	68' 1.71"	3960 kg	8,730 lbs
23.21 m*	76' 1.77"	3500 kg	7,716 lbs

* Manual extension boom

HK 135 K7+L5+2 Lifting Capacity



Main Boom
1. Manual Ext.
Max 3960 kg

Main Boom
2. Manual Ext.
Max 3500 kg

Jib Boom
1. Manual Ext.
Max 600 kg

Jib Boom
2. Manual Ext.
Max 500 kg

- * Lifting capacities of the main boom are to be considered when the fly jib is not installed.
- * In vertical and horizontal distances, boom deflections are not calculated.
- * Lifting capacities may vary around $\pm 5\%$
- * Subject to change without prior notice.
- * In the case of working in front of the cab area and / or on a surface where outrigger jacks are not balanced, all the responsibility belongs to the user.

A

FLY JIB	Feet&Inch	17000 kg	37,478 lbs
4.39 m	14' 4.83"	4900 kg	10,802 lbs
5.89 m	19' 3.88"	3120 kg	6,878 lbs
7.47 m	24' 6.09"	1950 kg	4,299 lbs
9.11 m	29' 10.66"	1320 kg	2,910 lbs
10.82 m	35' 5.98"	960 kg	2,116 lbs
12.59 m	41' 3.66"	750 kg	1,653 lbs
14.50 m*	47' 6.86"	600 kg	1,322 lbs
16.42 m*	53' 10.45"	500 kg	1,102 lbs

* Manual extension boom

HK 135 K7+L5+2 Lifting Capacity

B

FLY JIB	Feet&Inch	17000 kg	37,478 lbs
10.56 m	34' 7.74"	4900 kg	10,802 lbs
12.75 m	41' 9.96"	3120 kg	6,878 lbs
15.05 m	49' 4.51"	1950 kg	4,299 lbs
17.44 m	57' 2.61"	1320 kg	2,910 lbs
19.93 m	65' 4.64"	960 kg	2,116 lbs
22.51 m	73' 10.22"	750 kg	1,653 lbs
25.29 m*	82' 11.66"	600 kg	1,322 lbs
28.08 m*	92' 1.51"	500 kg	1,102 lbs

* Manual extension boom

C

FLY JIB	Feet&Inch	17000 kg	37,478 lbs
17.51 m	57' 5.37"	1700 kg	3,747 lbs
19.70 m	64' 7.59"	1340 kg	2,954 lbs
21.99 m	72' 1.74"	1070 kg	2,358 lbs
24.39 m	80' 0.23"	970 kg	2,138 lbs
26.88 m	88' 2.26"	730 kg	1,609 lbs
29.46 m	96' 7.84"	640 kg	1,410 lbs
32.24 m*	105' 9.29"	550 kg	1,212 lbs
35.03 m*	114' 11.13"	500 kg	1,102 lbs

* Manual extension boom

D

FLY JIB	Feet&Inch	17000 kg	37,478 lbs
22.61 m	74' 2.15"	1430 kg	3,152 lbs
24.81 m	81' 4.77"	1160 kg	2,557 lbs
27.10 m	88' 10.92"	950 kg	2,094 lbs
29.49 m	96' 9.02"	870 kg	1,918 lbs
31.99 m	104' 11.44"	680 kg	1,499 lbs
34.57 m	113' 5.02"	600 kg	1,322 lbs
37.35 m*	122' 6.47"	530 kg	1,168 lbs
40.14 m*	131' 8.31"	480 kg	1,058 lbs

* Manual extension boom