

# HK 28 TP5

AERIAL PLATFORM



**HIDROKON**



*Stability and Performance Together*









# **HK 28 TP5 Aerial Platform**

*With high quality equipment,  
superior capability and  
maximum safety features.*





## Technical Specifications

	Total weight*	7500 kg		Rotation angle of the basket	± 90°
	Max. working height	28 m		Size of the basket	910x1100x1400 mm
	Max. basket height	26 m		Max. basket load	200 kg
	Max. outreach	14,8 m	*It Varies Depending On The Vehicle Type.		
	Rotation angle of turntable	± 235°			

### BASIC SPECIFICATIONS

ENGINE START/STOP IN CABIN STANDARD

RAMPING ON MOVEMENT START AND STOP STANDARD

### BASKET

ENGINE START/STOP IN THE BASKET STANDARD

220 V AC OUTLET STANDARD

LIGHTENING STANDARD

### BOOMS

MAINBOOM ANGLE 85 °

### SLEWING

SLEWING WITHIN THE VIEW OF THE SIDE MIRRORS STANDARD

### OUTTRIGGERS

VERTICAL JACKING CONTROL STANDARD

MAXIMUM PERMISSIBLE INCLINATION 3 °

### OPTIONAL SPECIFICATIONS

STABILIZER PADS OPTIONAL

## FEATURES



Operator  
Cabin



Operator  
Cabin  
Heating



Operator  
Cabin A/C



Operator  
Cabin  
(Tilttable)



Slewing Angle  
Control



Proportional  
Control Valve



Hand Pump



Intercom  
Easytalk



Wind  
Sensor



Joystick  
Control  
(Cabled)



Automatic  
Outrigger  
Leveling

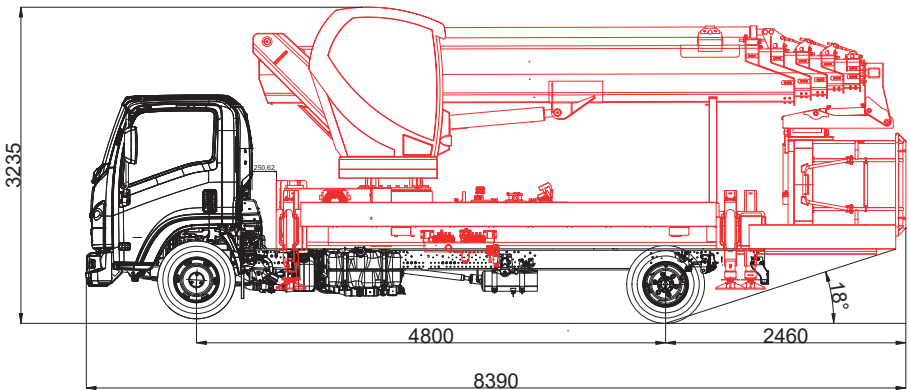


Outrigger  
Control  
System

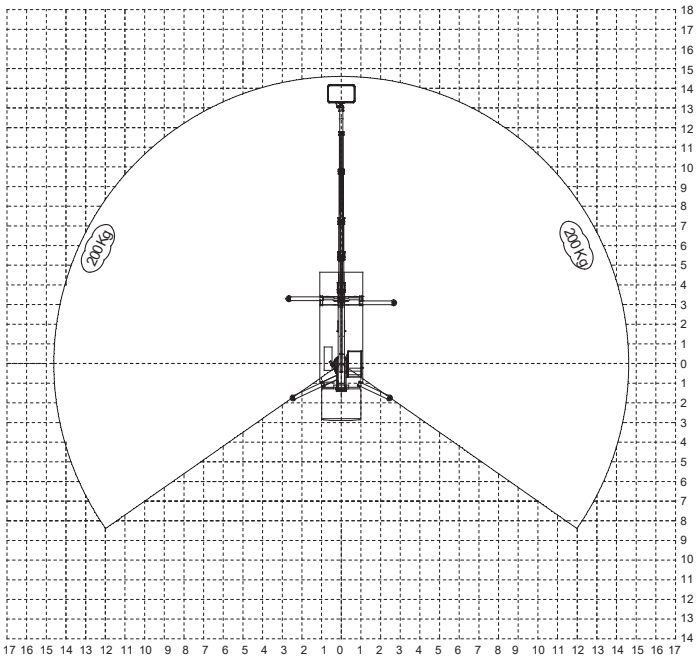
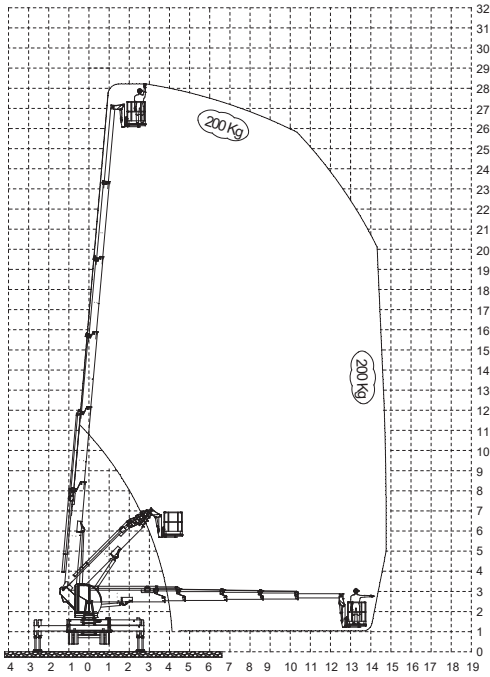


Basket  
Electrical  
Insulation

## Dimensions (mm)



# HK 28 TP5 Working Diagrams



\*Boom deflections are not taken into consideration