

HK 30 TP5

AERIAL PLATFORM



HIDROKON



Stability and Performance Together









HK 30 TP5 Aerial Platform

*With high quality equipment,
superior capability and
maximum safety features.*





Technical Specifications

	Total weight*	7500 kg		Rotation angle of the basket	± 90°
	Max. working height	30 m		Size of the basket	910x1100x1400 mm
	Max. basket height	28 m		Max. basket load	250 kg
	Max. outreach	16,80 m	*It Varies Depending On The Vehicle Type.		
	Rotation angle of turntable	± 235°			

BASIC SPECIFICATIONS

ENGINE START/STOP IN CABIN	STANDARD
RAMPING ON MOVEMENT START AND STOP	STANDARD

BASKET

ENGINE START/STOP IN THE BASKET	STANDARD
220 V AC OUTLET	STANDARD
LIGHTENING	STANDARD

BOOMS

MAINBOOM ANGLE	85 °
----------------	------

SLEWING

SLEWING WITHIN THE VIEW OF THE SIDE MIRRORS	STANDARD
---	----------

OUTTRIGGERS

VERTICAL JACKING CONTROL	STANDARD
MAXIMUM PERMISSIBLE INCLINATION	3 °

OPTIONAL SPECIFICATIONS

STABILIZER PADS	OPTIONAL
-----------------	----------

FEATURES



Operator Cabin



Operator Cabin Heating



Operator Cabin A/C



Operator Cabin (Tilttable)



Slewing Angle Control



Proportional Control Valve



Hand Pump



Intercom Easytalk



Wind Sensor



Joystick Control (Cabled)



Automatic Outrigger Leveling

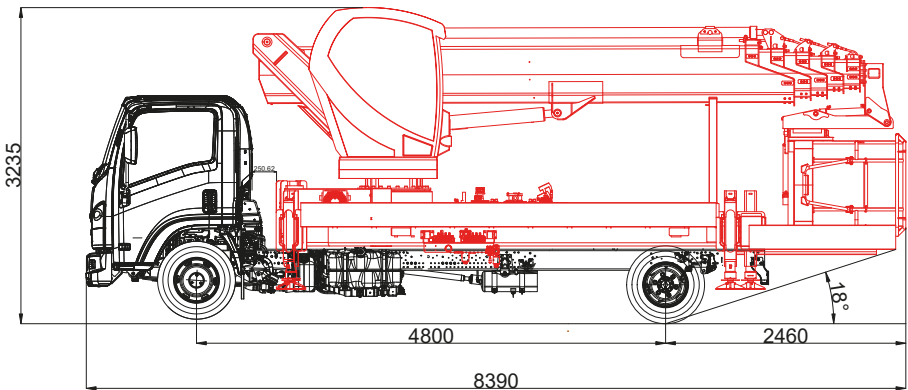


50% Outrigger Control System

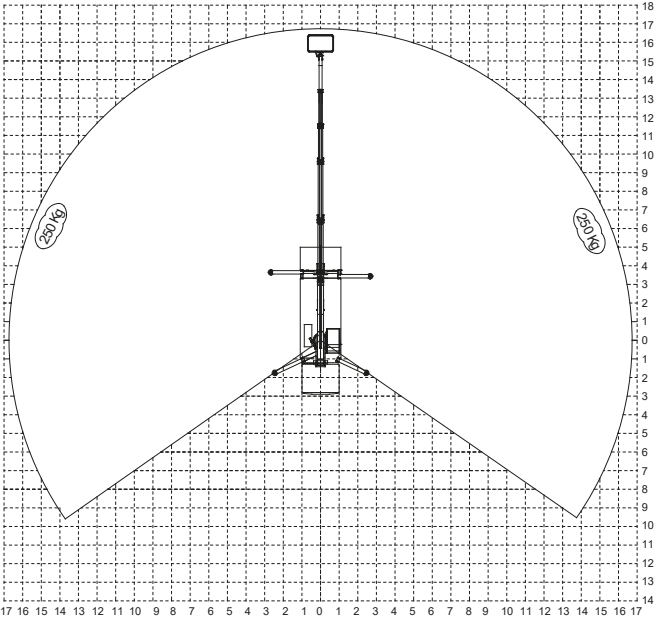
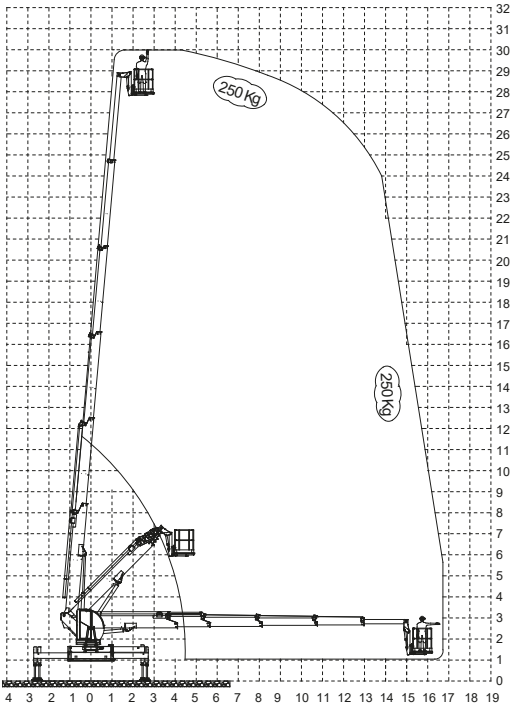


Basket Electrical Insulation

Dimensions (mm)



HK 30 TP5 Working Diagrams



*Boom deflections are not taken into consideration