

HK 345 L9+L6

KNUCKLE BOOM CRANE



HIDROKON



Strength in Your Favor!

HK 345 L9+L6 Knuckle Boom Crane

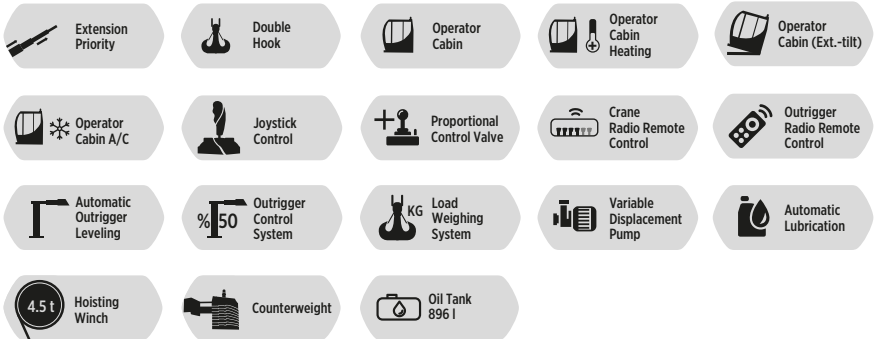
*With high quality equipment,
superior capability and
maximum safety features.*







FEATURES



Crane Attachments

● Available ✗ Not Available	Fly Jib	Hoisting Winch Single Line	Hoisting Winch Single Line	Hoisting Winch Single Line	Hoisting Winch Single Line
		1937 KG	3059 KG	3569 KG	4588 KG
HK 345	●	✗	✗	●	●

● Available ✗ Not Available	Counter Weight	Load Case Extension	5th-6th Stabilizers	Manual Extension Booms
	HK 345	●	✗	●

Other Attachments

Double Hook

Body Apparatus For Utility Pole

Hook Block - Single Sheave

Pallet Fork

Towing Equipment

Angular Extension Boom

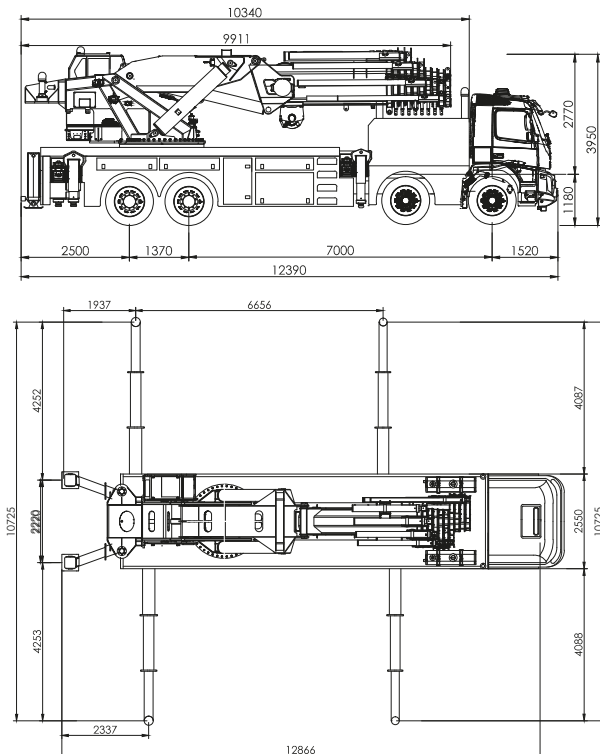
H Frame Lifting Beam

Angular Extension Boom
(Angle Adjustable)

Technical Specifications

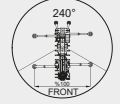
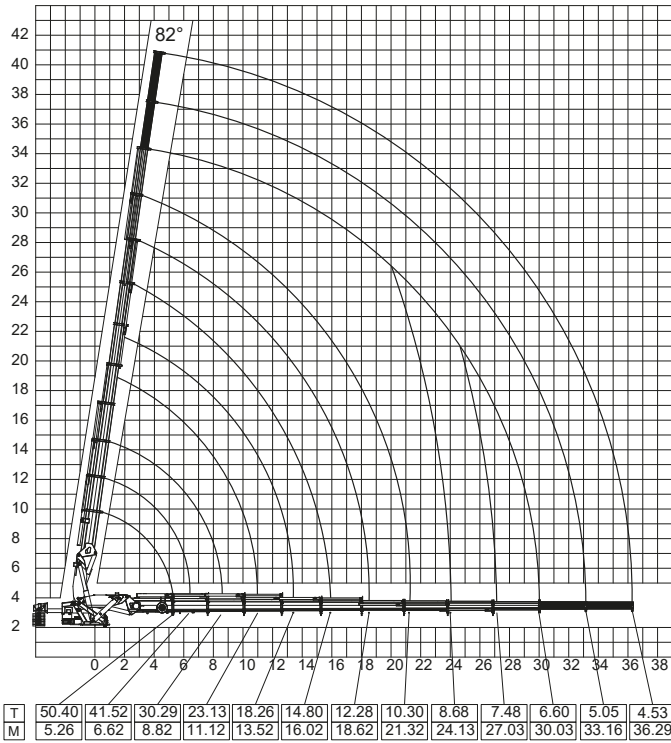
Max. Hydraulic Vertical Outreach	34.30 m	112' 6.39"
Max. Manual Vertical Outreach	40.77 m	133' 9.11"
Max. Hydraulic Vertical Outreach With Fly Jib	54.50 m	178' 9.66"
Max. Manual Vertical Outreach With Fly Jib	61.00 m	200' 1.57"
Working Pressure	300 bar	4351 psi
Rotation Angle	∞ (Endless)	∞ (Endless)
Number Of Hydraulic Extensions	9	9
Number Of Hydraulic Extensions Of Fly Jib	6	6
Number Of Manual Extensions	2	2
Number Of Manual Extensions Of Fly Jib	3	3
Counter Weight	8 x 1320 kg	8 x 2910 lbs
Oil Tank Capacity	896 l	896 l
Dead Weight (Std.)	38520 kg	84,922 lbs
Dead Weight (Std.) With Fly Jib	42900 kg	94,578 lbs

Dimensions (mm)



*Vehicle model selection may vary depending on country highway regulations, the image above is for illustration purposes only.

HK 345 L9+2 Lifting Capacity



Main Bom
1. Manual Ext.
Max 5050 kg

Main Bom
2. Manual Ext.
Max 4530 kg

* Lifting capacities of the main boom are valid when manual extensions are not installed .

* In vertical and horizontal distances , boom deflections are not calculated .

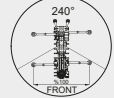
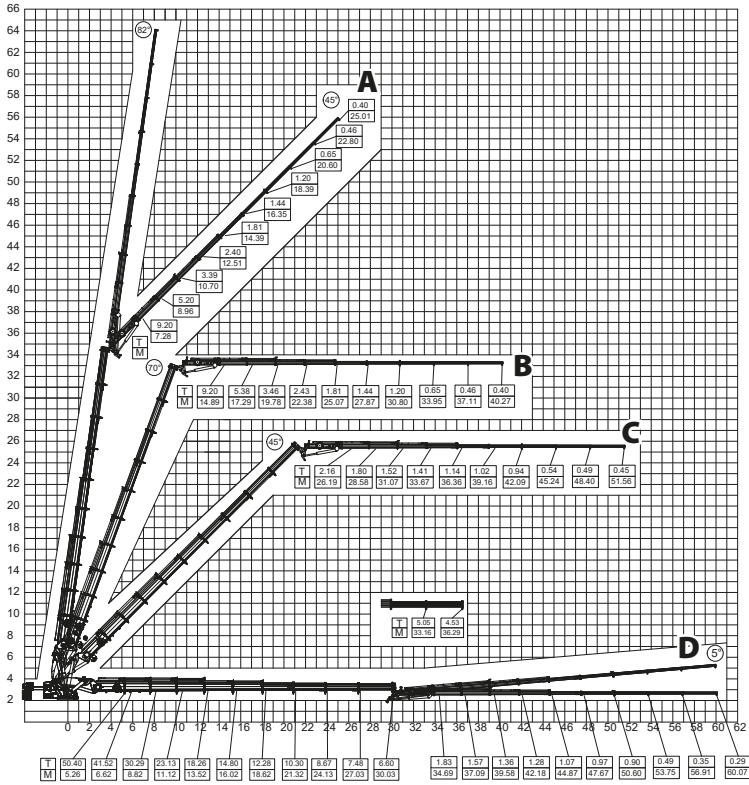
* Subject to change without prior notice.

* In the case of working in front of the cab area and / or on a surface where outrigger jacks are not balanced, all the responsibility belongs to the user.

max.	Feet&Inch	115000 kg	253,531 lbs
5.26 m	17' 3.08"	50400 kg	111,112 lbs
6.62 m	21' 8.62"	41520 kg	91,535 lbs
8.82 m	28' 11.24"	30290 kg	66,778 lbs
11.12 m	36' 5.79"	23130 kg	50,992 lbs
13.52 m	44' 4.28"	18260 kg	40,256 lbs
16.02 m	52' 6.70"	14800 kg	32,628 lbs
18.62 m	61' 1.07"	12280 kg	27,072 lbs
21.32 m	69' 11.37"	10300 kg	22,707 lbs
24.13 m	79' 1.99"	8680 kg	19,136 lbs
27.03 m	88' 8.17"	7480 kg	16,490 lbs
30.03 m	98' 6.28"	6600 kg	14,550 lbs
33.16 m*	108' 9.51"	5050 kg	11,133 lbs
36.29 m*	119' 0.74"	4530 kg	9,986 lbs

* Manual extension boom

HK 345 L9+L6+3 Lifting Capacity



Main Boom
1. Manual Ext.
Max 5050 kg

Main Boom
2. Manual Ext.
Max 4530 kg

Jib Boom
1. Manual Ext.
Max 650 kg

Jib Boom
2. Manual Ext.
Max 460 kg

Jib Boom
3. Manual Ext.
Max 400 kg

- * Lifting capacities of the main boom are to be considered when the fly jib is not installed.
- * In vertical and horizontal distances , boom deflections are not calculated .
- * Fly jib load capacities are valid when manual extensions are not installed .
- * Lifting capacities may vary around ± %5
- * Subject to change without prior notice.
- * In the case of working in front of the cab area and / or on a surface where outrigger jacks are not balanced, all the responsibility belongs to the user.

A

FLY JIB	Feet&Inch	30000 kg	66,138 lbs
7.28 m	23' 10.61"	9200 kg	20,282 lbs
8.96 m	29' 4.75"	5200 kg	11,464 lbs
10.70 m	35' 1.25"	3390 kg	7,473 lbs
12.51 m	41' 0.51"	2400 kg	5,291 lbs
14.39 m	47' 2.53"	1810 kg	3,990 lbs
16.35 m	53' 7.70"	1440 kg	3,174 lbs
18.39 m	60' 4.01"	1200 kg	2,645 lbs
20.60 m*	67' 7.02"	650 kg	1,433 lbs
22.80 m*	74' 9.63"	460 kg	1,014 lbs
25.01 m*	82' 0.64"	400 kg	881 lbs

* Manual extension boom

HK 345 L9+L6+3 Lifting Capacity

B

FLY JIB	Feet&Inch	30000 kg	66,138 lbs
14.89 m	48' 10.22"	9200 kg	20,282 lbs
17.29 m	56' 8.70"	5380 kg	11,860 lbs
19.78 m	64' 10.74"	3465 kg	7,639 lbs
22.38 m	73' 5.10"	2430 kg	5,357 lbs
25.07 m	82' 3.00"	1810 kg	3,990 lbs
27.87 m	91' 5.24"	1440 kg	3,174 lbs
30.80 m	101' 0.59"	1200 kg	2,645 lbs
33.95 m*	111' 4.61"	650 kg	1,433 lbs
37.11 m*	121' 9.02"	460 kg	1,014 lbs
40.27 m*	132' 1.43"	400 kg	881 lbs

* Manual extension boom

C

FLY JIB	Feet&Inch	30000 kg	66,138 lbs
26.19 m	85' 11.10"	2160 kg	4,761 lbs
28.58 m	93' 9.19"	1800 kg	3,968 lbs
31.07 m	101' 11.22"	1520 kg	3,351 lbs
33.67 m	110' 5.59"	1420 kg	3,130 lbs
36.36 m	119' 3.49"	1140 kg	2,513 lbs
39.16 m	128' 5.73"	1020 kg	2,248 lbs
42.09 m	138' 1.08"	940 kg	2,072 lbs
45.24 m*	148' 5.10"	540 kg	1,190 lbs
48.40 m*	158' 9.51"	490 kg	1,080 lbs
51.56 m*	169' 1.92"	450 kg	992 lbs

* Manual extension boom

D

FLY JIB	Feet&Inch	30000 kg	66,138 lbs
34.69 m	113' 9.74"	1830 kg	4,034 lbs
37.09 m	121' 8.23"	1570 kg	3,461 lbs
39.58 m	129' 10.26"	1360 kg	2,998 lbs
42.18 m	138' 4.62"	1280 kg	2,821 lbs
44.87 m	147' 2.53"	1070 kg	2,358 lbs
47.67 m	156' 4.77"	970 kg	2,138 lbs
50.60 m	166' 0.12"	900 kg	1,984 lbs
53.75 m*	176' 4.14"	490 kg	1,080 lbs
56.91 m*	186' 8.55"	350 kg	771 lbs
60.07 m*	197' 0.96"	290 kg	639 lbs

* Manual extension boom