

HK 45 TPF

AERIAL PLATFORM



NEW

PRODUCT

HIDROKON



Power and Performance Together










HK 45 TPF Aerial Platform

*With high quality equipment,
superior capability and
maximum safety features.*





Technical Specifications

	Total weight*	23540 kg		Rotation angle of the basket boom	110°
	Max. working height	45 m		Rotation angle of the basket	± 90°
	Max. basket height	43 m		Size of the basket	850x1100x2000 mm
	Max. outreach	31 m		Max. basket load	500 kg
	Rotation angle of turntable	± 270°	*It Varies Depending On The Vehicle Type.		

BASIC SPECIFICATIONS

ENGINE START/STOP IN CABIN	STANDARD
RAMPING ON MOVEMENT START AND STOP	STANDARD

BASKET

ENGINE START/STOP IN THE BASKET	STANDARD
220 V AC OUTLET	STANDARD
OVERLOAD CONTROL ON BASKET	STANDARD
LIGHTENING	STANDARD

BOOMS

MAINBOOM ANGLE	85°
UPPER BOOM ANGLE	180°
LENGTH AND ANGLE CONTROL OF BOOMS	STANDARD

SLEWING

SLEWING ANGLE CONTROL	STANDARD
SLEWING WITHIN THE VIEW OF THE SIDE MIRRORS	STANDARD

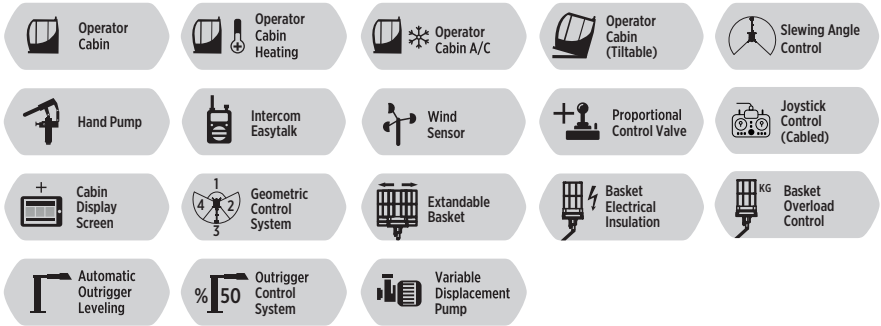
OUTTRIGGERS

TWO OUTTRIGGERS ON EACH SIDE	STANDARD
VERTICAL JACKING CONTROL	STANDARD
MAXIMUM PERMISSIBLE INCLINATION	3°

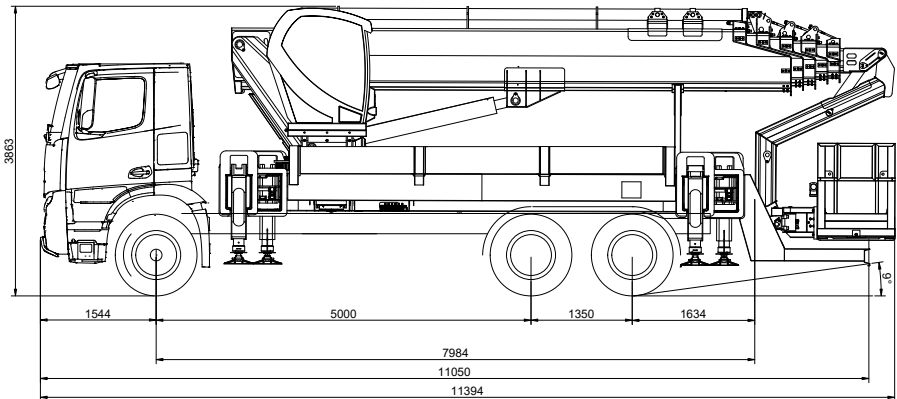
OPTIONAL SPECIFICATIONS

TWO SECTION EXTENDABLE BASKET	OPTIONAL
BODY BY ALUMINIUM COVER	OPTIONAL
STABILIZER PADS	OPTIONAL

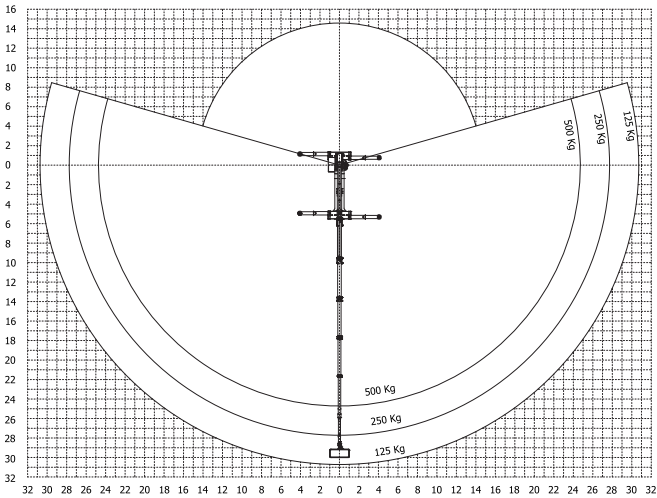
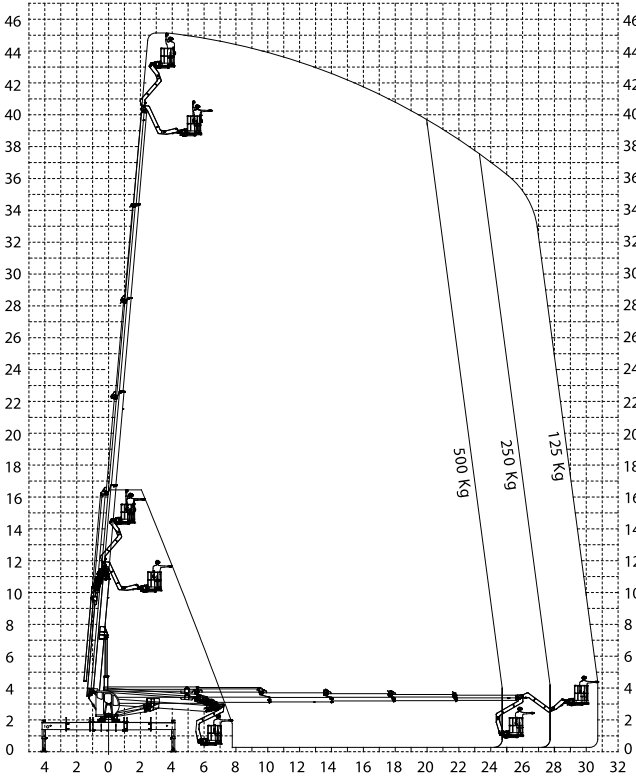
FEATURES



Dimensions (mm)



HK 45 TPK Working Diagrams



* In vertical and horizontal distances , boom deflections are not calculated.
 * Subject to change without prior notice.