

HK 45 TPK

AERIAL PLATFORM



HIDROKON



Power and Performance Together










HK 45 TPK Aerial Platform

With high quality equipment,
superior capability and
maximum safety features.





Technical Specifications

	Total weight*	25000 kg		Rotation angle of the basket boom	90°
	Max. working height	45 m		Rotation angle of the basket	± 90°
	Max. basket height	43 m		Size of the basket **	1020X1100X2430 mm
	Max. outreach	24 m		Max. basket load	500 kg
	Rotation angle of turntable	± 270°	**Extendable Basket (Measure After Extension: 1020x1100x3870 mm) *It Varies Depending On The Vehicle Type.		

BASIC SPECIFICATIONS

ENGINE START/STOP IN CABIN	STANDARD
RAMPING ON MOVEMENT START AND STOP	STANDARD

BASKET

ENGINE START/STOP IN THE BASKET	STANDARD
220 V AC OUTLET	STANDARD
OVERLOAD CONTROL ON BASKET	STANDARD
LIGHTENING	STANDARD

BOOMS

MAINBOOM ANGLE	85 °
UPPER BOOM ANGLE	180 °
LENGTH AND ANGLE CONTROL OF BOOMS	STANDARD

SLEWING

SLEWING ANGLE CONTROL	STANDARD
SLEWING WITHIN THE VIEW OF THE SIDE MIRRORS	STANDARD

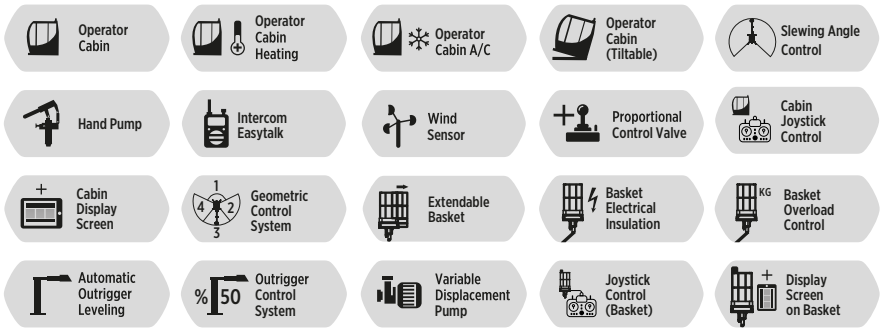
OUTRIGGERS

TWO OUTRIGGERS ON EACH SIDE	STANDARD
VERTICAL JACKING CONTROL	STANDARD
MAXIMUM PERMISSIBLE INCLINATION	3 °

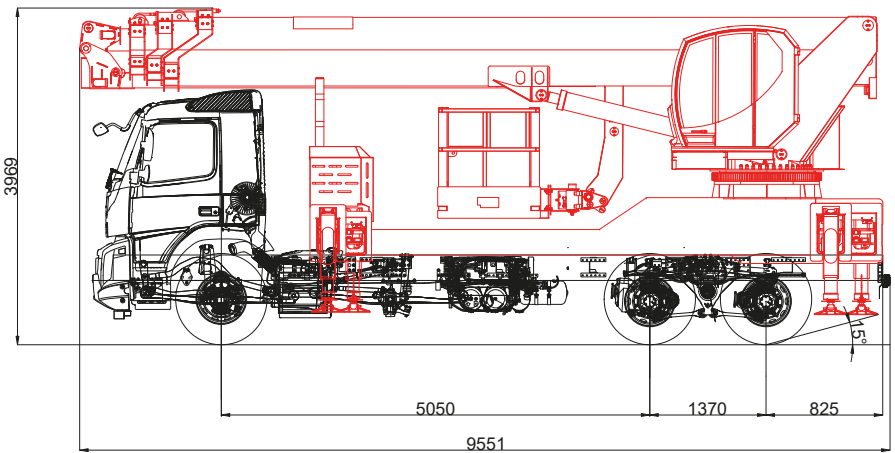
OPTIONAL SPECIFICATIONS

STABILIZER PADS	OPTIONAL
-----------------	----------

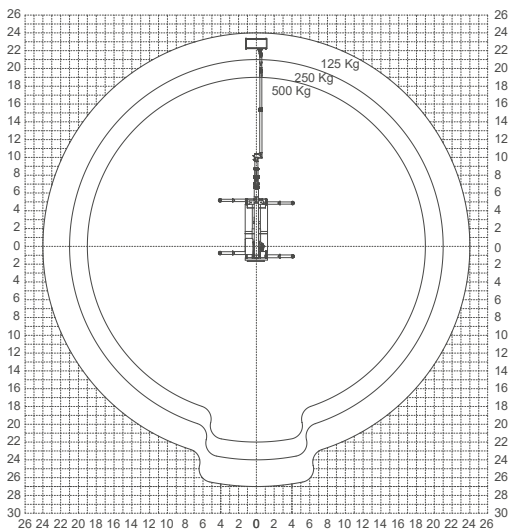
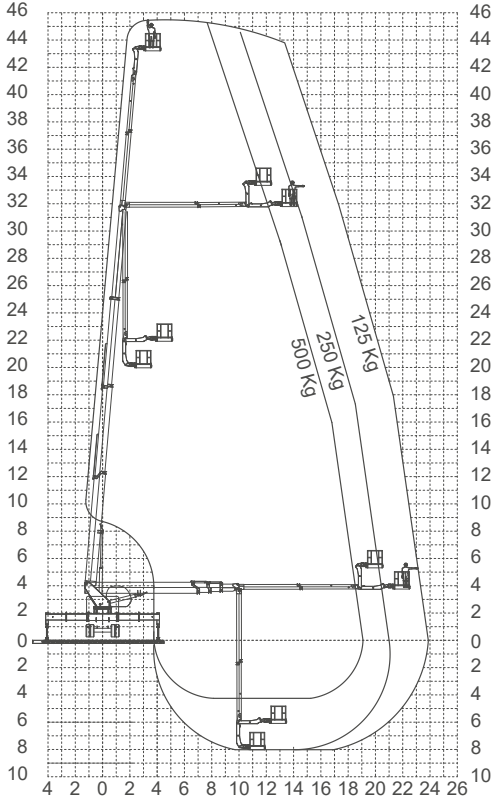
FEATURES



Dimensions (mm)



HK 45 TPK Working Diagrams



***Boom deflections are not taken into consideration**