

HK 60 L6

KNUCKLE BOOM CRANE



HIDROKON



Convenience is With You!

HK 60 L6 Knuckle Boom Crane

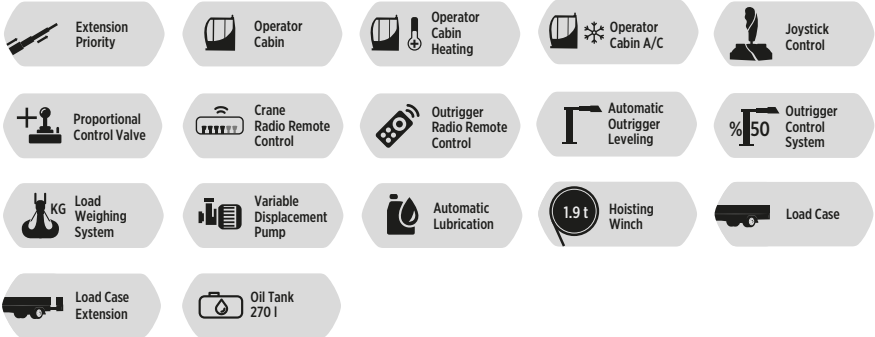
*With high quality equipment,
superior capability and
maximum safety features.*







FEATURES



Crane Attachments

● Available × Not Available	Fly Jib	Hoisting Winch Single Line	Hoisting Winch Single Line	Hoisting Winch Single Line	Hoisting Winch Single Line
		1937 KG	3059 KG	3569 KG	4588 KG
HK 60	×	●	×	×	×

● Available × Not Available	Counter Weight	Load Case Extension	5th-6th Stabilizers	Manual Extension Booms
	HK 60	×	●	×

Other Attachments

Double Hook

Body Apparatus For Utility Pole

Hook Block - Single Sheave

Pallet Fork

Towing Equipment

Angular Extension Boom

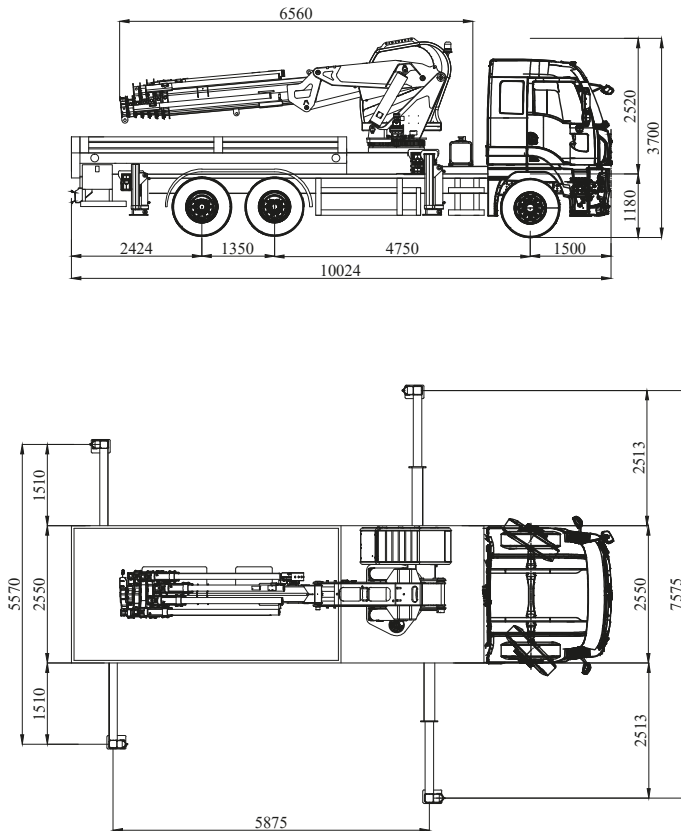
H Frame Lifting Beam

Angular Extension Boom
(Angle Adjustable)

Technical Specifications

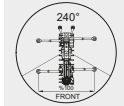
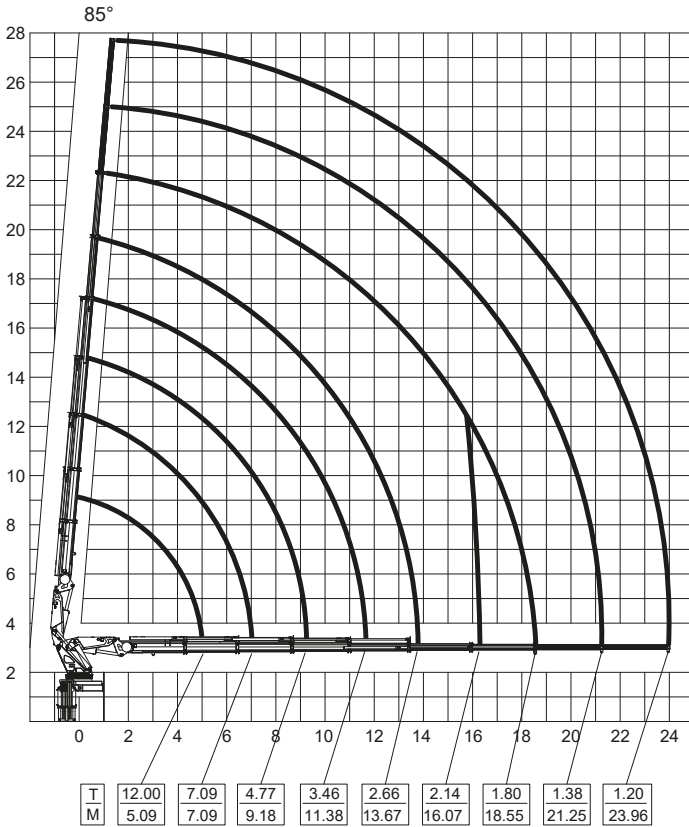
Max. Hydraulic Vertical Outreach	22.30 m	73' 1.95"
Max. Manual Vertical Outreach	27.69 m	90' 10.15"
Working Pressure	285 bar	4133 psi
Rotation Angle	∞ (Endless)	∞ (Endless)
Number Of Hydraulic Extensions	6	6
Number Of Manual Extensions	2	2
Oil Tank Capacity	270 l	270 l
Dead Weight (Std.)	12742 kg	28,091 lbs

Dimensions (mm)



*Vehicle model selection may vary depending on country highway regulations, the image above is for illustration purposes only.

HK 60 L6+2 Lifting Capacity



Main Boom
1. Manual Ext.
Max 1380 kg

Main Boom
2. Manual Ext.
Max 1200 kg

* Lifting capacities of the main boom are valid when manual extensions are not installed.

* In vertical and horizontal distances, boom deflections are not calculated.

* Subject to change without prior notice.

* In the case of working in front of the cab area and / or on a surface where outrigger jacks are not balanced, all the responsibility belongs to the user.

max.	Feet&Inch	20000 kg	44,092 lbs
5.09 m	16' 8.39"	12000 kg	26,455 lbs
7.09 m	23' 3.13"	7090 kg	15,630 lbs
9.18 m	30' 1.41"	4770 kg	10,516 lbs
11.38 m	37' 4.03"	3460 kg	7,627 lbs
13.67 m	44' 10.18"	2660 kg	5,864 lbs
16.07 m	52' 8.67"	2140 kg	4,717 lbs
18.55 m	60' 10.31"	1800 kg	3,968 lbs
21.25 m*	69' 8.61"	1380 kg	3,042 lbs
23.96 m*	78' 7.30"	1200 kg	2,645 lbs

* Manual extension boom